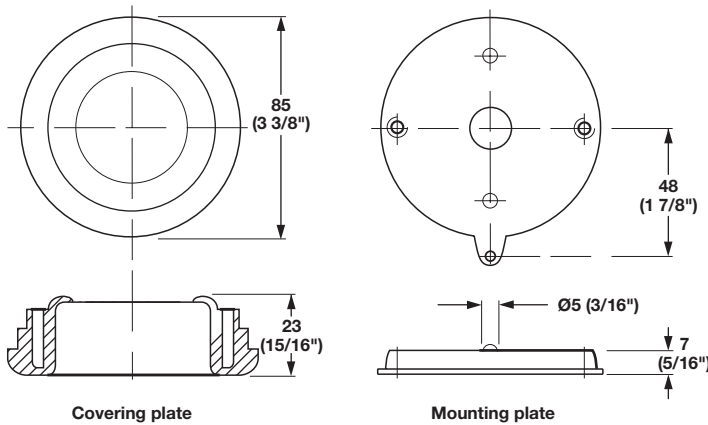
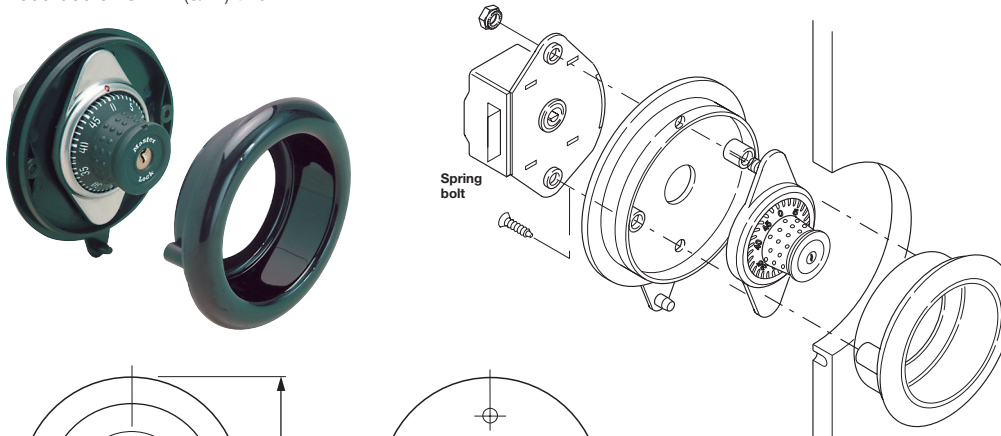


Combination Locks
Mastercombi Locker Locks

Specially designed for Häfele. This trim piece, used in combination with the Mastercombi Lock, creates a clean professional look in wood doors.

Mastercombi in connection with a Häfele Flush Handle for installation in wood doors 19 mm (3/4") thick.



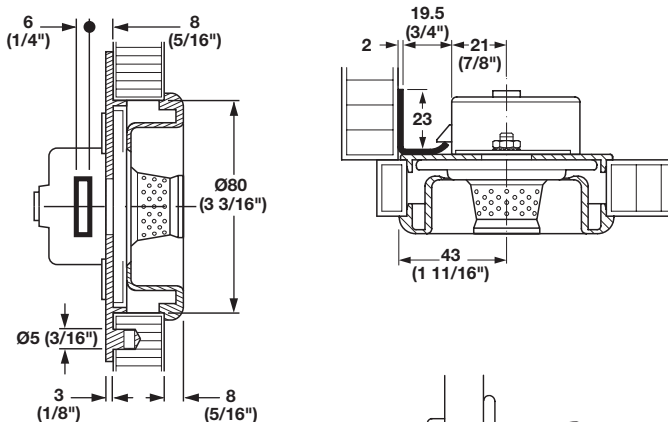
Special Flush Handle

Material: Nylon

Color	Item No.
black RAL 9005	231.14.300

Note

Special Strike Plate required, order below



Special Strike Plate

- For Mastercombi installations in wood doors

Material: Steel

Finish	Item No.
nickel-plated	231.13.706

Setting a new combination on the Mastercombi:

Turn the number dial at least one full turn clockwise, and then set "0" to the red mark. Insert control key and turn 90° clockwise. The spring bolt is now retracted and the door can be opened. Now depress and hold in the spring-loaded button on the rear of the lock housing. At the same time turn the number dial with the other hand 2 divisions clockwise to the "48" mark. Now release the spring-loaded button. Continue turning the dial clockwise until the adjusting spring can be heard to engage. The next combination is now set. Lock the cabinet door and withdraw the control key. Remember to register the new combination.

Dimensional data not binding. We reserve the right to alter specifications without notice.



Flat head screws

Pages 11.137–11.138, 11.140