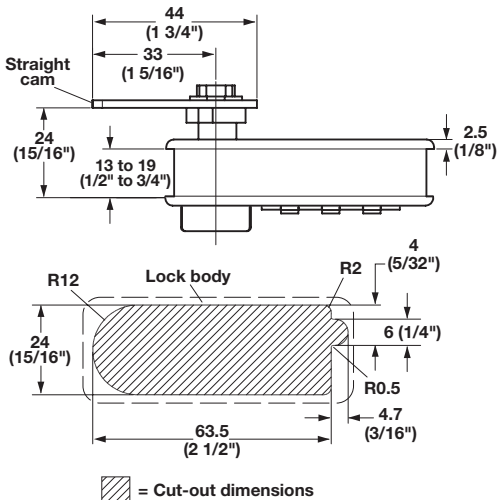
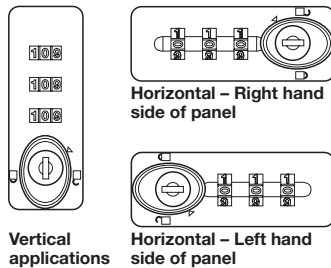
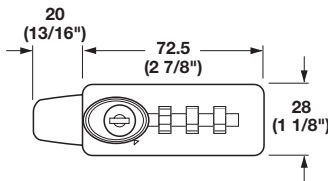
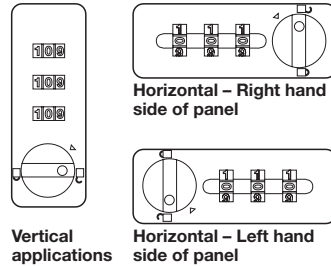
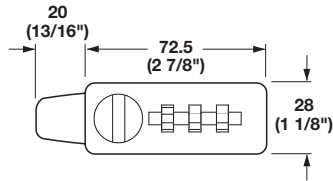


Combination Locks Combi-Code Locks

- 3 dials replace the need for keys
- Private containers are secure with your own personal code
- The code can be changed and reset
- Available in horizontal or vertical orientation, with or without key override function
- With code scrambling and override key
- Cam travel is 180°, and can be re-oriented



Code Scrambling Feature:

After opening or closing the lock, the dials automatically scramble – no one can see the code.

Code Scrambling with Key Override:

After opening or closing the lock, the dials automatically scramble hiding the secret code. The overriding key opens the lock without having to know the code (if the code is forgotten). For instance, service people can open the locker to exchange towels, yet the code remains secret.

Each lock comes with instructions explaining how to set personal code.

For thin materials such as metal, glass, etc. please see back plate adapter below.

Combi-Code Lock 1157

- For wood thickness: 13 mm (1/2") – 19 mm (3/4")

Material: Polyamide glass fiber reinforced Polyamide; Color: black; Cam: Steel, galvanized

Orientation	Item No.
horizontal – right	231.16.300
horizontal – left	231.16.301
vertical	231.16.302

Supplied With

Straight cam with snap ring for attaching cam
Back plate
2 mounting screws
Installation instructions

Combi-Code Lock 1153

- For wood thickness: 13 mm (1/2") – 19 mm (3/4")

Material: Polyamide glass fiber reinforced Polyamide; Color: black; Cam: Steel, galvanized

Orientation	Item No.
horizontal – right	231.16.310
horizontal – left	231.16.311
vertical	231.16.312

Supplied With

2 keys
Straight cam with snap ring for attaching cam
Back plate
2 mounting screws
Installation instructions

Back Plate Adapter

- Used for installation in metal, glass, or plastic
- For thickness: 1 mm (3/64") – 9 mm (3/8")

Material: Polyamide glass fiber reinforced

Color	Item No.
black	231.16.399

Combi-Code Codefinder

- Small plate that can be inserted beside each combination wheel to detect lost code

Material: Steel

Item No.
231.16.999

10

Dimensions in mm
Inches are approximate