

Hasp Cam Lock

- Durable construction secures doors, drawers, or lockers when used with a padlock
- Attractive plated finish
- Includes straight cam 24 mm (15/16") long
- Maximum material thickness: 28 mm (1 1/8")
- Screw-mounted



- For wood doors, drawers, or lockers

Material: Plate: Zinc, die-cast
Accessories: Steel

Finish/Color	Item No.
polished chrome	235.17.200
black	235.17.300
matt nickel	235.17.600

Supplied With

Hex nut
Rosette
24 mm straight cam
Mounting nut
Screw



Offset Cams

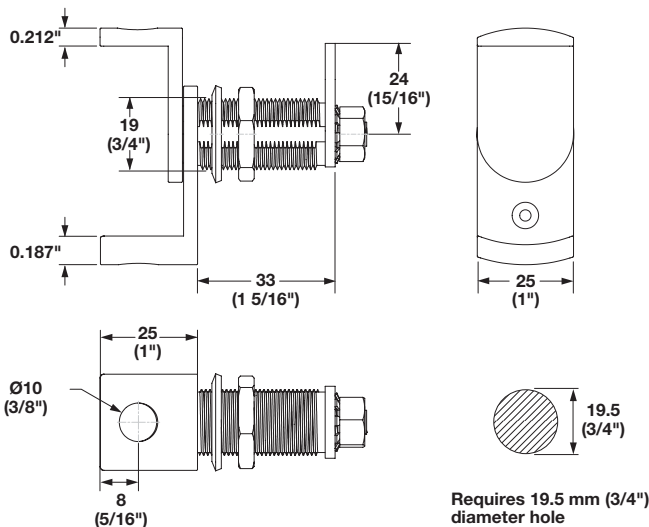
Material: Steel; Finish: yellow chromate

Offset	Item No.
3 (1/8")	219.13.910
6 (1/4")	219.13.930
9 (3/8")	219.13.950

Note

Order separately to replace straight cams

Total combined thickness
plus gap = 0.444"



10

Dimensions in mm
Inches are approximate

Flat head screws

Pages 11.137-11.138, 11.140

Dimensional data not binding. We reserve the right to alter specifications without notice.