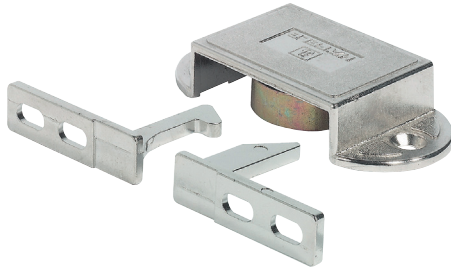
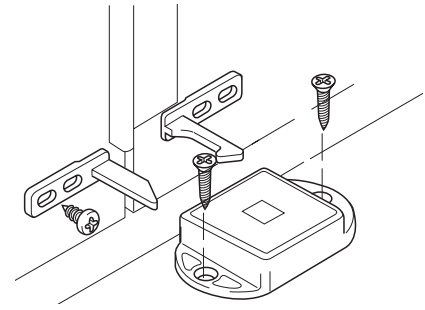


### Accessories

- Locks double panel doors without additional stop strips or furniture bolts
- The door catch is mounted inside the cabinet
- The hook and wedge element are mounted to the inside of either the right or left door
- The door with the hook element must be closed first
- Upon closing the second door, the wedge element automatically blocks the door catch
- The door with the wedge element must now be made lockable with a lock



### Automatic Door Bolt

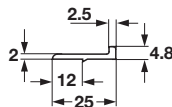
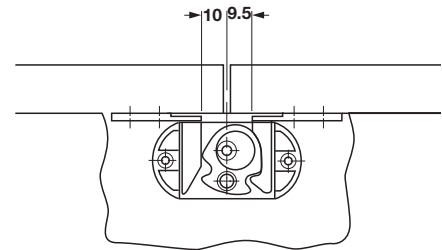
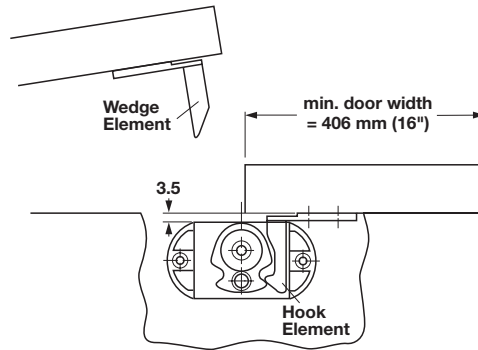
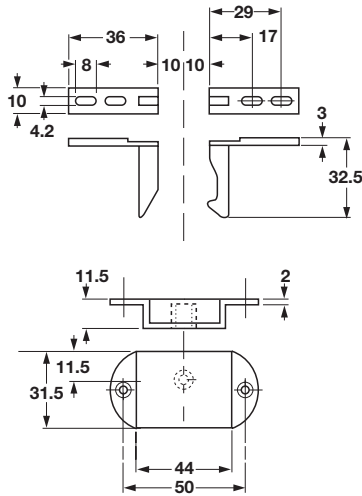
- Must be combined with either a cam or deadbolt lock
- Functions best when chosen lock locks into the cabinet top or bottom
- Make sure that doors lock tight without too much 'play' and that tall doors do not offer too much flex

Material: Zinc, die-cast

Finish	Item No.
nickel-plated	245.58.754
bronzed	245.58.156

#### Note

Minimum door with is 16"



### Astragal

- Screw-mounted
- Length: 2.5 m (98")

Material: Plastic

Color	Item No.
brown	239.92.150

Dimensional data not binding. We reserve the right to alter specifications without notice.

Elbow catches	Page 11.106
Raised head screws	Page 11.145

Dimensions in mm  
Inches are approximate