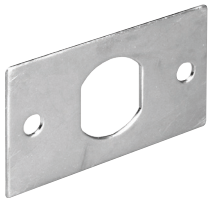
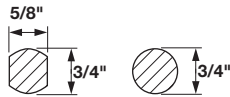
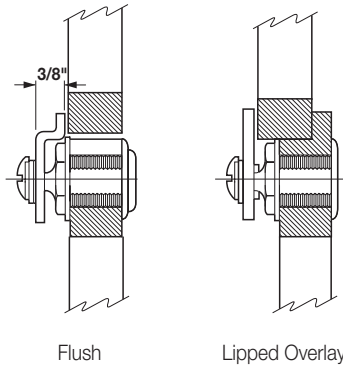


High Security – National Lock

- Locks on this page meet or exceed ANSI/BHMA Grade 1 cylinder pull and cycle test
- Approved by the Woodworkers Institute (formerly WIC)
- Custom Master keying and General Master key systems available upon request
- 2500 key changes are possible
- Please include a key plan
- Plan on 2–3 weeks to produce

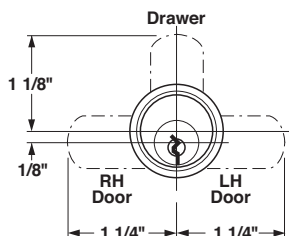


Mounting Plate for Cam Locks

- Used where spur washer will not embed into hard surfaces
- Measures: 2 1/4" x 1 1/4"

Material: Steel

National No.	Item No.
C2016-2C	210.02.081



Note

Through the use of a shifter, the 360° key travel turns the cam 90° in either direction. Actual application determines which cam position is the locked position. Each lock is furnished with an alternate cam for opposite cam turn.

Cam Locks

- For drawer, left, or right hand applications
- 4 pin tumblers = 850 key changes
- Cam turns 90°, key turns 360°

Keyed Alike

- Mounting Type: Flush
- Cylinder length: 1 1/16", Maximum material thickness: 3/4"

Material: Lock and keys: Brass-plated; Strike: Brass-plated

Finish	Keying #'s	National No.	Item No.
brushed chrome	101	C8102-101-26D	235.10.401
brushed chrome	103	C8102-103-26D	235.10.402
brushed chrome	107	C8102-107-26D	235.10.403
brushed chrome	915	C8102-915-26D	235.10.404
satin brass	107	C8102-107-4	235.10.503
satin brass	915	C8102-915-4	235.10.504

- Mounting Type: Lipped/Overlay
- Cylinder length: 1 3/16", Maximum material thickness: 7/8"

Material: Lock and keys: Brass-plated; Strike: Brass-plated

Finish	Keying #'s	National No.	Item No.
brushed chrome	101	C8103-101-26D	235.10.301
brushed chrome	103	C8103-103-26D	235.10.302
brushed chrome	107	C8103-107-26D	235.10.303
brushed chrome	915	C8103-915-26D	235.10.304
satin brass	107	C8103-107-4	235.10.603
satin brass	915	C8103-915-4	235.10.604

Supplied With

- 2 keys
- 2 cams
- Spur washer
- Rosette

Master Key

- For MKKD locks above

Material: Brass

National No.	Item No.
D4299	210.02.209

Replacement Keys

Material: Brass

Keying No.	Item No.
101	210.02.201
103	210.02.202
107	210.02.203
915	210.02.204

Solid lines show locked position of cam.

Position of shifter on back of lock



Dimensions in mm
Inches are approximate

Dimensional data not binding. We reserve the right to alter specifications without notice.