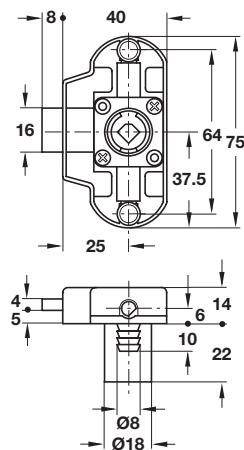
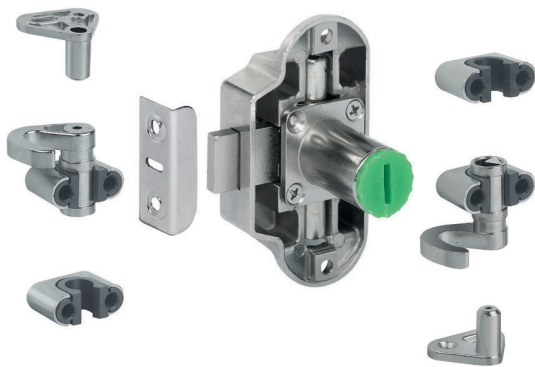
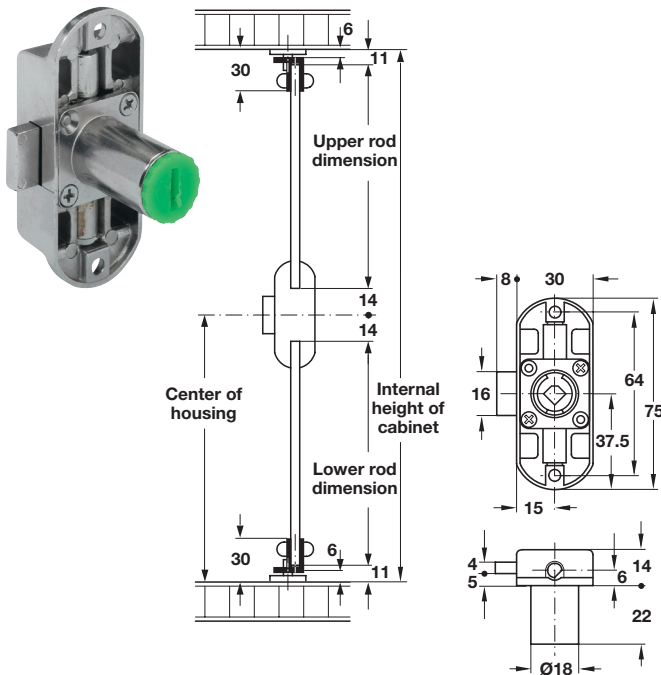


**Modular Removable Core Locking System – SYMO 3000**  
**Espagnolette Locks**



**PICCOLA-NOVA**

- For divided profile rod 6 mm, for cylinder cores that are inserted from the front on-site
- Screw-mount

Material: Zinc, die-cast

Handing	Item No.
left hand	224.64.650
right hand	224.64.600

**Note**

Please consider the following measurements when designing the cabinet and when choosing the accessories for the espagnolette lock:

Upper rod dimension: Center of housing – 25 mm (1")  
Lower rod dimension: Center of housing – 25 mm (1")

**PICCOLA-NOVA Complete Set**

- Screw-mount

Material: Housing: Steel; Finish: nickel-plated  
Cylinder: Brass

Handing	Item No.
left hand	224.64.662
right hand	224.64.612

**Supplied With**

- Angled striking plate
- Pair of catch hooks with plastic guide
- 2 locking bolts
- 2 rod guides

**Note**

Please order profile rod separately

Dimensional data not binding. We reserve the right to alter specifications without notice.

Profile rod	Page 10.37
Lock cores	Page 10.26
Accessories	Page 10.50–10.51