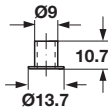
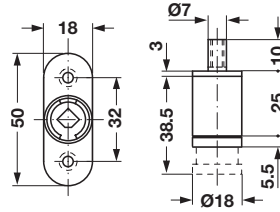
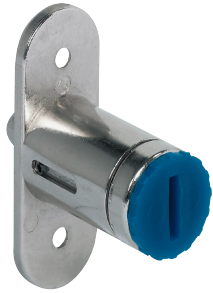


**Modular Removable Core Locking System – SYMO 3000**  
**Gang Locks – Front Mount**



**Central Locking Cylinder**

- For cylinder cores that are inserted from the front on-site
- Closure direction: 180°
- With internal M5 thread in locking pin for use with central locking accessories
- Screw-mount

Material: Zinc die-cast

Finish/Color	Item No.
nickel-plated	234.65.600
black	234.65.300

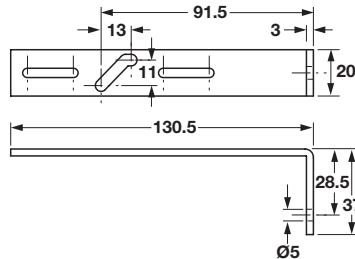
**Locking Sleeve**

- For SYMO 3000 Push-Button Cylinder
- Accommodates the locking pin
- Mounts in drilled hole

Material: Brass

Finish	Item No.
nickel-plated	234.59.994

**Central Locking Accessories**

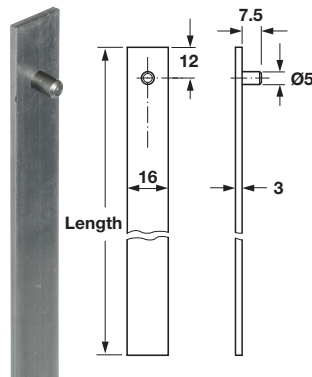
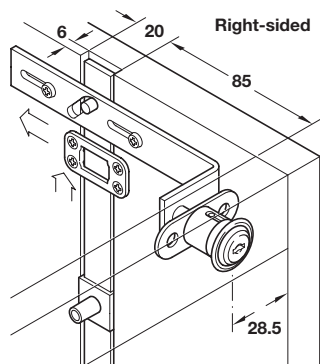


**Connecting Bar**

- With M5 mounting screw
- For right-sided installation only

Material: Steel, unfinished

Item No.
237.11.202

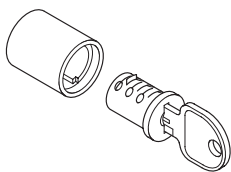


**Lockbar**

- Can be cut to length
- Length: 1000 mm (39 3/8')

Material: Steel, unfinished

Item No.
237.21.315



Lock cores	Page 10.26
Accessories	Page 10.50–10.51

Dimensional data not binding. We reserve the right to alter specifications without notice.