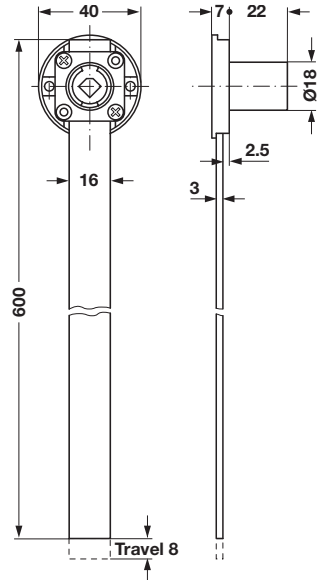


**Modular Removable Core Locking System – SYMO 3000**  
**Gang Locks – Side Mount**

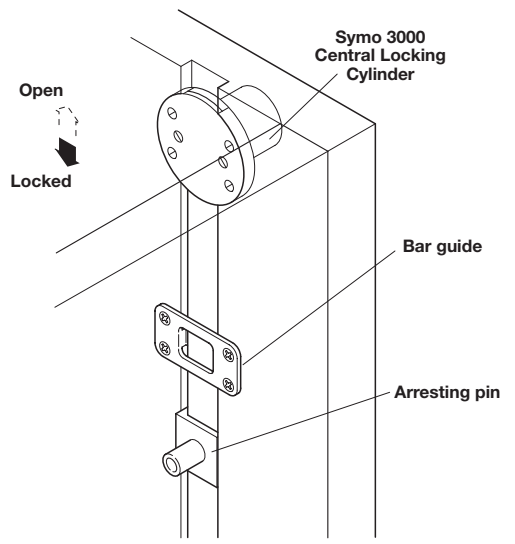


**Central Locking Cylinder**

- With bar
- For cylinder cores that are inserted from the front on-site
- Closure direction: 180°
- Bar length: 600 mm (23 5/8")
- Travel: 8 mm (5/16")
- Screw-mount

Material: Cylinder: Zinc die-cast; Bar: Aluminum

Finish	Item No.
nickel-plated	237.48.600



10

Dimensions in mm  
Inches are approximate

Accessories	Page 10.50–10.51
Flat head screws	Pages 11.137–11.138, 11.140

Dimensional data not binding. We reserve the right to alter specifications without notice.