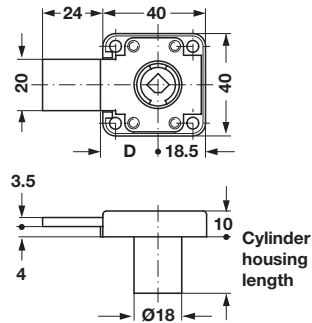


Modular Removable Core Locking System – SYMO 3000
Deadbolt Locks

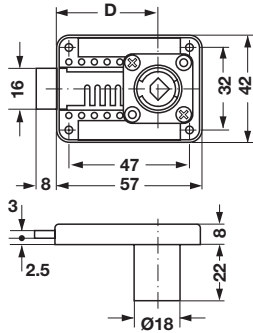


Deadbolt Rim Lock

- Long bolt travel
- For cylinder cores that are inserted from the front on-site
- Backset D: 23 mm (29/32")
- Bolt travel: 24 mm (15/16")
- Screw-mount

Material: Zinc, die-cast; Finish: nickel-plated

Handing	Cylinder housing length	Item No.
left hand	22 (7/8")	232.25.610
right hand	22 (7/8")	232.25.600
drawer version	22 (7/8")	232.25.620
drawer version	32 (1 1/4")	232.25.680

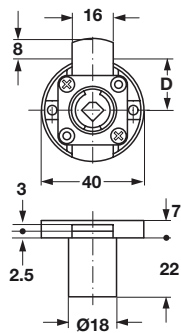


Deadbolt Rim Lock

- With adjustable backset
- For cylinder cores that are inserted from the front on-site
- Backset D: 15 – 40 mm (5/8" – 1 9/16") (adjustable in steps of 5 mm)
- Handing convertible to left or right
- Screw-mount

Material: Zinc, die-cast

Finish	Item No.
nickel-plated	232.26.690

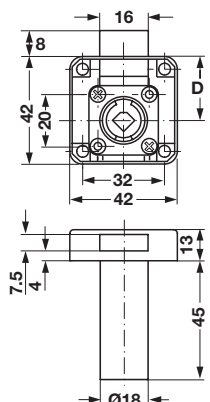
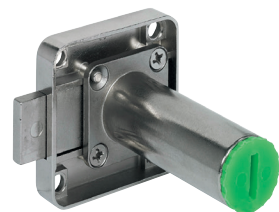


Deadbolt Lock

- For cylinder cores that are inserted from the front on-site
- Backset D: 20 mm (25/32")
- Handing: drawer version
- Screw-mount

Material: Zinc, die-cast

Finish	Item No.
nickel-plated	230.28.620



Deadbolt Rim Lock

- For cylinder cores that are inserted from the front on-site
- Backset D: 25 mm (1")
- Cylinder housing length: 45 mm (1 3/4")
- Screw-mount

Material: Zinc, die-cast; Finish: nickel-plated

Handing	Item No.
left hand	232.26.612
right hand	232.26.602
drawer version	232.26.622

Dimensional data not binding. We reserve the right to alter specifications without notice.

Lock cores	Page 10.26
Flat head screws	Pages 11.137–11.138, 11.140