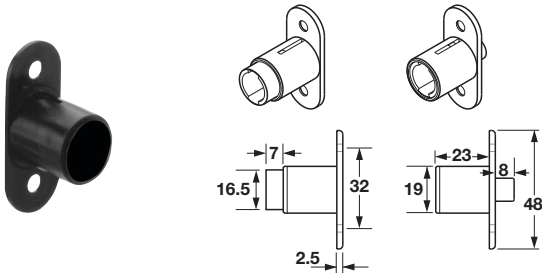


Modular Removable Core Locking System – Timberline

The most economical arrangement for locking two drawers simultaneously. Only a single hole needs to be drilled in the desk or cabinet side panel and the lock is then installed vertically. A drawer wedge is then screwed to each drawer side panel. Once the cylinder core has been installed, the lock is ready for use.

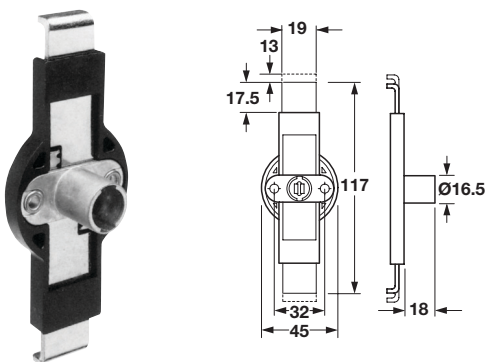
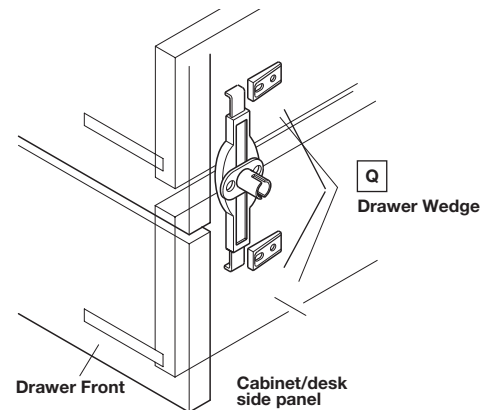
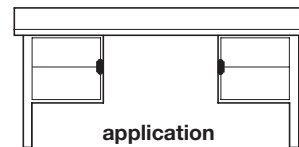


Push-button Lock

- Compatible with all cores
- Small 3/4" diameter for improved appearance
- Throw: 8 mm (5/16")

Material: Lock case: Nylon
Cylinder housing: Zinc die-cast

Color	Timberline No.	Item No.
black	CB-175	234.65.000



Central Locking System – 2 Drawer

- For two drawers with lockbar
- Throw: 13 mm (1/2")

Material: Lock case: Nylon; Color: black
Cylinder housing: Zinc die-cast, unfinished
Bars: Steel; Finish, nickel-plated

Timberline No.	Item No.
CB-270	234.92.300



Lock cores	Page 10.6
Cylinder rosettes	Page 10.6
Q Drawer wedges	Page 10.20
Strike plates	Pages 10.21–10.22
Pan head screws	Pages 11.139–11.140

Dimensional data not binding. We reserve the right to alter specifications without notice.

10

Dimensions in mm
Inches are approximate