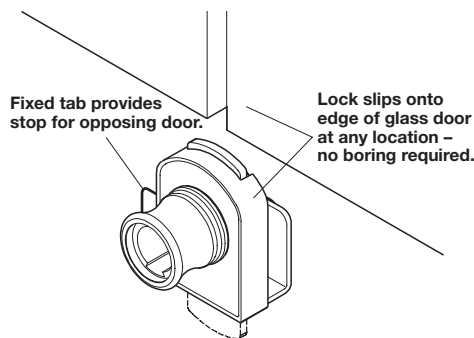
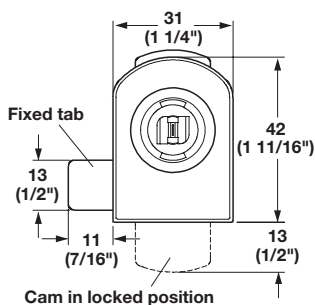
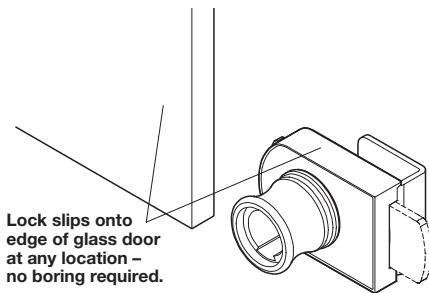
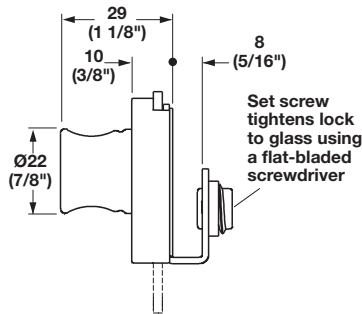
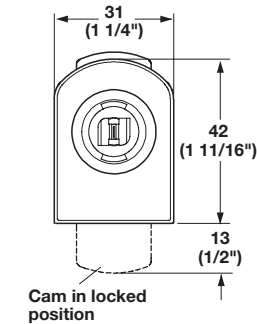


Modular Removable Core Locking System – Timberline

- Non-bore glass door locks
- Small high quality appearance
- Integrated knob to open door
- Fully cushioned to avoid glass damage
 - Neoprene gasket on front surface
 - Plastic tightening screw on back surface



Glass Door Lock – Vertical Installation

- For glass thickness up to 5/16" thick

Material: Outer body: Nylon; Color: black
Face plate and cylinder: Brass-plated
Lever: Steel; Finish: nickel-plated

Finish	Timberline No.	Item No.
nickel matt	CB-367	233.18.630
nickel polished	CB-361	233.18.730
brass polished	CB-365	233.18.830

Glass Door Lock – Horizontal Installation

- For glass thickness up to 5/16" thick

Material: Outer body: Nylon; Color: black
Face plate and cylinder: Brass-plated
Lever: Steel; Finish: nickel-plated

Finish	Timberline No.	Item No.
nickel matt	CB-357	233.18.600
nickel polished	CB-351	233.18.700
brass polished	CB-355	233.18.800

Glass Door Lock – Double Door

- For glass doors up to 5/16" thick

Material: Outer body: Nylon; Color: black
Face plate and cylinder: Brass-plated
Lever: Steel; Finish: nickel-plated

Finish	Timberline No.	Item No.
nickel matt	CB-377	233.18.660
nickel polished	CB-371	233.18.760
brass polished	CB-375	233.18.860

10

Dimensions in mm
Inches are approximate

Lock cores	Page 10.6
Angle strikes	Page 10.21

Dimensional data not binding. We reserve the right to alter specifications without notice.