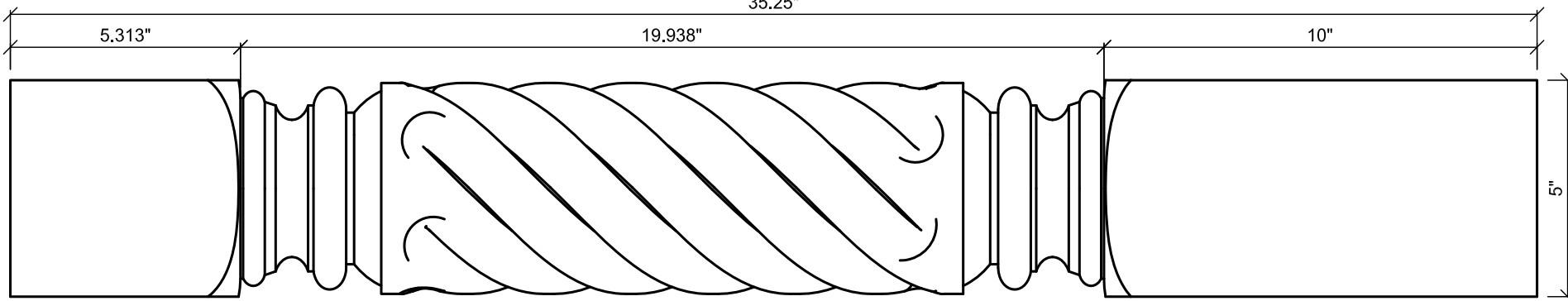


35.25"

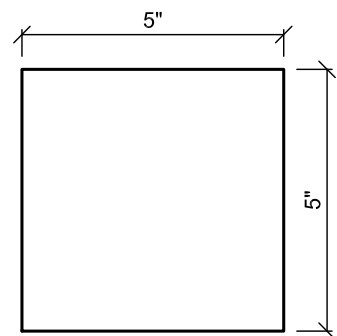
5.313"

19.938"

10"



5"



5"

5"



REVISION HISTORY		
REV	REV DATE	DESCRIPTION

TOLERANCES	
WIDTH	± .03125"
THICKNESS	± .03125"
LENGTH	± .0625"
ANGULAR	± x.x°
PROFILE	± x.xxx"
Use General Tolerances Unless Noted	

AVAILABLE WOOD SPECIES		
(HM) Hard Maple	(CH) Cherry	(SM) Soft Maple
(AK) Red Oak	(AL) Alder	
NOTES:		
Do not scale. Use dimensions only. All dimensions are in inches unless noted		

TITLE:		GRECO ROMAN COLUMN ISLAND - ROPED CLASSIC -WHOLE	
SIZE:		5" X 5" X 35.25"	
DWG #:	230230-1	REV:	
DATE: 10-8-2009		SCALE: NTS	