



**Key Card – Tag-it™**

- For use with all Diallock Tag-it™ programming options
  - ISO Standard
  - Read/Write transponder
  - 4 independent locking rights per key card possible
  - Contactless data transfer
  - No batteries required
  - Insensitive to magnetism
  - Reusable
  - Custom printing available upon request
  - Suitable for card printers
- 54 x 85 x 1 mm (2 1/4" x 3 3/8" x 1/32")  
-25° to +60°C (-13° to +140°F)  
>10 years

Material: Plastic

| Color | Item No.   |
|-------|------------|
| white | 917.44.001 |



**Key Card – Tag-it™**

- For use with all Diallock Tag-it™ programming options
  - Water-resistant
  - Read/Write transponder
  - 4 Diallock segments
  - Contactless data transfer
  - No batteries required
  - Insensitive to magnetism
  - Reusable
  - Custom printing available
- 28 x 56 x 1.7 mm (1 1/8" x 2 3/16" x 1/16")  
-25° to +60°C (-13° to +140°F)  
>10 years

Material: Plastic

| Color | Item No.   |
|-------|------------|
| gray  | 917.44.085 |
| white | 917.44.087 |

6



**Card Holder**

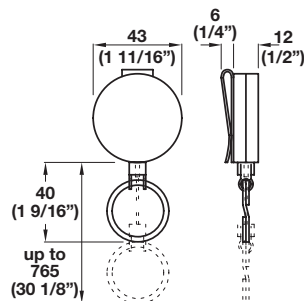
- Clip to belt or pocket or attach to lanyard
  - Can be oriented horizontally or vertically
- 66 x 90 x 4 mm (2 5/8" x 3 1/2" x 5/32")

Material: Plastic

| Color | Item No.   |
|-------|------------|
| black | 917.44.073 |



Shown in white



**Key Retractor**

Ø43 x 12 mm (1 11/16" x 7/16")

Material: Steel

| Color                 | Item No.   |
|-----------------------|------------|
| black/chrome polished | 917.94.060 |

Dimensions in mm  
Inches are approximate