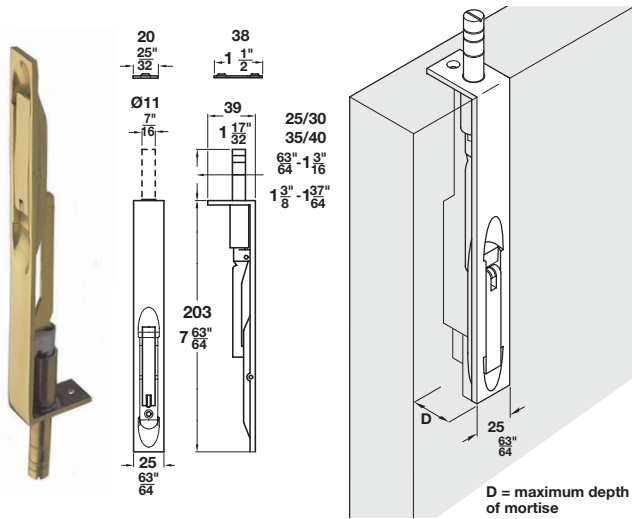


4



**Lever Action Flush Bolt**

- For wood doors
- Typically mounted to the face of the folding door at the base, but also suitable for edge-mounting
- Throw length adjustable with screwdriver: 25, 30, 35 and 40 mm (63/64", 1 3/16", 1 3/8" and 1 37/64")
- Minimum door thickness: Face-mounting: 45 mm (1 49/64")  
Edge-mounting: 35 mm (1 3/8")
- Maximum depth of mortise: 37 mm (1 29/64")  
H x W: 203 x 25 mm (7 63/64" x 63/64")

Material: Brass

Finish	Item No.
polished, lacquered	900.17.860
nickel-plated, matt	900.17.851

**Supplied With**

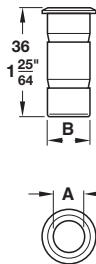
Mounting screws



**Brass, nickel-plated matt**



**Brass, polished**



**Dust Proof Strike**

- Strikes have spring-loaded cover in order to prevent accumulation of dust or dirt inside the strike
- Used as an alternative for strike plates that come with lever flush bolts

Material: Brass

Bolt reception up to ØA	Drilling ØB	Bright	Dull, Chrome-plated
11 (7/16")	15 (19/32")	911.62.063	911.62.062
13 (33/64")	17 (43/64")	911.62.065	911.62.064
15 (19/32")	19 (3/4")	911.62.067	911.62.066



**Brass, bright**



**Brass, dull chrome-plated**

Dimensions in mm  
Inches are approximate