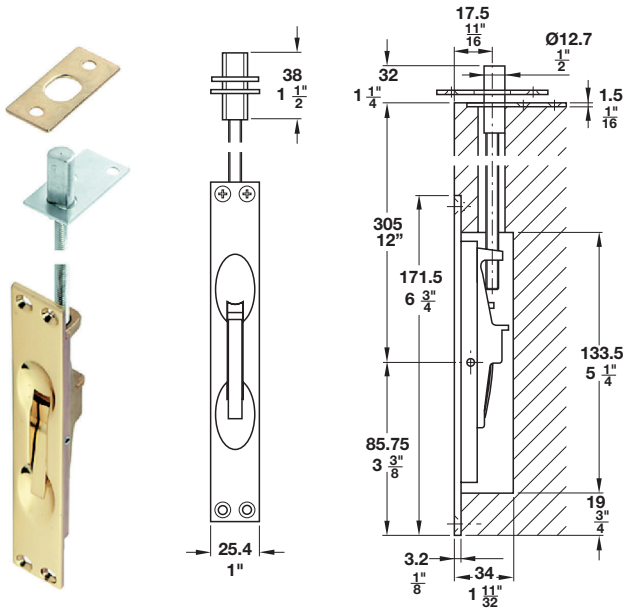


- For metal or wood doors
- Recessed into edge of door at top and bottom
- Lever action
- Recommended minimum door thickness: 35 mm (1 3/8")

4



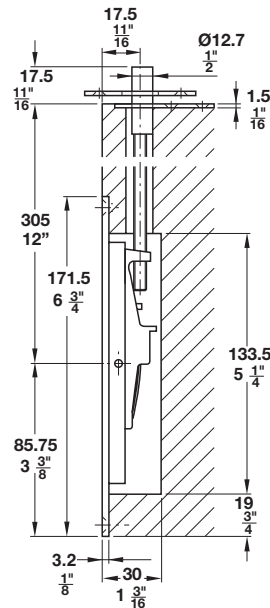
Lever Action Flush Bolt

Throw: 32 mm (1 1/4")

Material/Finish	Item No.
Brass, polished (US 3)	911.62.443
Bronze, oil-rubbed (US 10B)	911.62.444
Brass, nickel-plated, matt (US 15)	911.62.445

Supplied With

- Lever action flush bolt
- Strike plate
- Bolthead guide plate
- Threaded rod
- Bolthead 38 mm (1 1/2")
- Mounting screws



Lever Action Flush Bolt

Throw: 17.5 mm (11/16")

Material/Finish	Item No.
Brass, polished (US 3)	900.17.459
Bronze, oil-rubbed (US 10B)	900.17.477
Brass, nickel-plated, matt (US 15)	900.17.468

Supplied With

- Lever action flush bolt
- Strike plate
- Bolthead guide plate
- Threaded rod
- Bolthead 38 mm (1 1/2")
- Mounting screws



Brass, polished



Bronze, oil-rubbed



Brass, nickel-plated matt

Rod, optional

Material: Steel

Length	Item No.
610 (24")	900.17.491
1220 (48")	900.17.492

Bolthead, optional

Length: 76 mm (3") long x Ø12.7 mm (1/2")

Material: Brass

Finish	Item No.
chrome, matt	900.17.490