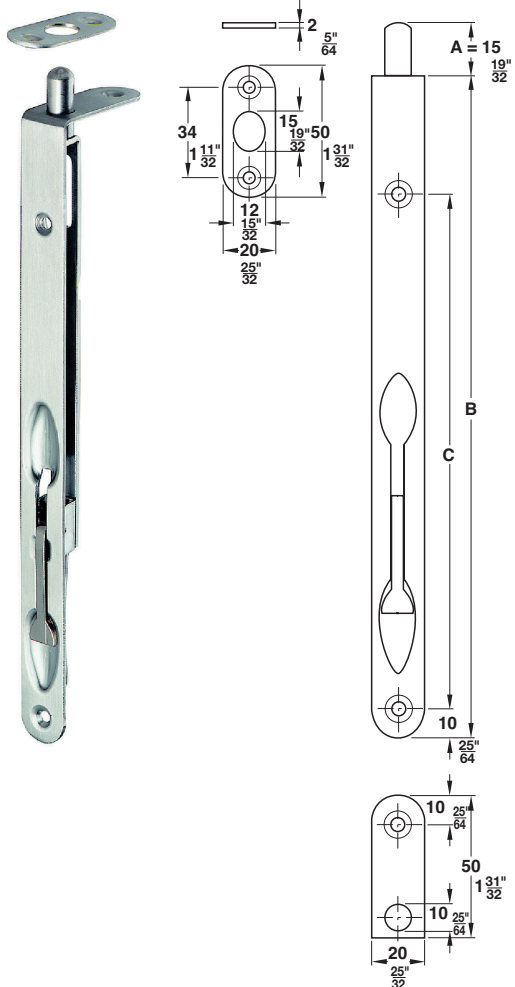


- For wood doors
- Recommended minimum door thickness: 35 mm (1 3/8")

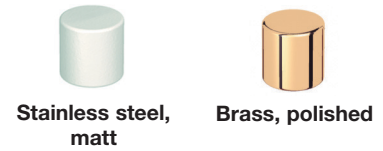


**Lever Action Flush Bolt with Strike Plate**

- Typically recessed into edge of door  
Throw: 15 mm (19/32")

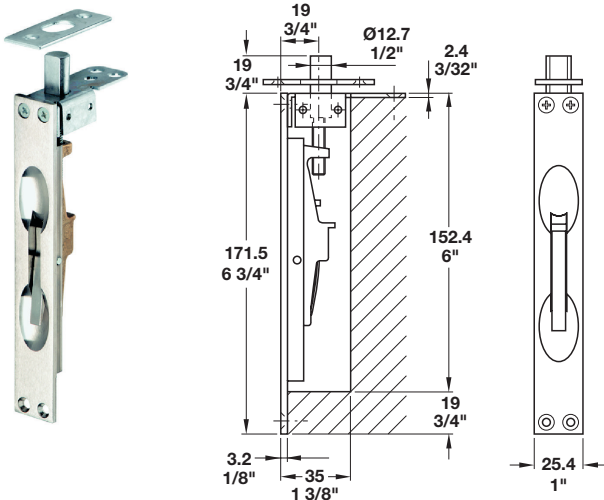
B	C	Brass, polished	Stainless Steel, matt
250 (9 27/32")	198 (7 51/64")	911.62.152	911.62.150
400 (15 3/4")	348 (13 45/64")	911.62.153	911.62.151

**Note**  
Mounting screws not included



**4**

Dimensional data not binding. We reserve the right to alter specifications without notice.



**Lever Action Flush Bolt**

- Recessed into edge of door at top and/or bottom  
Throw: 19 mm (3/4")

Material/Finish	Item No.
Brass, polished (US 3)	911.62.440
Bronze, oil-rubbed (US 10B)	911.62.441
Brass, nickel-plated, matt (US 15)	911.62.442

**Supplied With**  
Lever action flush bolt  
Strike plate  
Mounting screws



Dust-proof strike	page 4.32
Flathead screws	pages FC 11.137- 11.138, 11.140

Dimensions in mm  
Inches are approximate