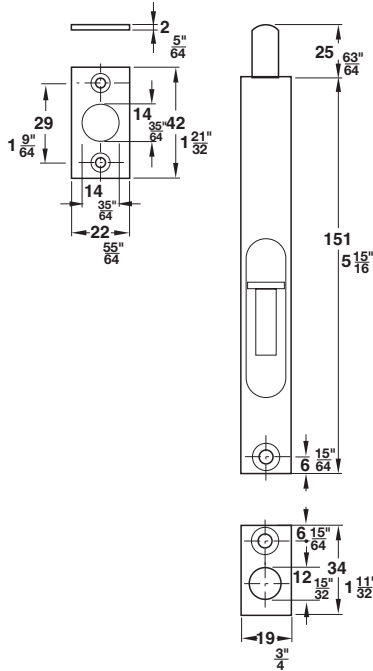


- For wood doors
- Typically recessed into edge of door
- Recommended minimum door thickness: 35 mm (1 3/8")

4

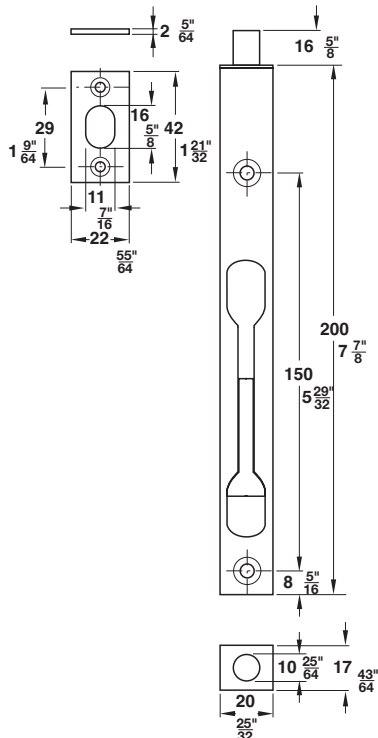


**Slide Action Flush Bolt**

Throw: 25 mm (63/64")  
Length: 151 mm (5 15/16")

Material/Finish	Item No.
stainless steel, matt	911.62.335
stainless steel, PVD brass polished	911.62.339

**Supplied With**  
Strike plate  
Mounting screws



**Lever Action Flush Bolt**

Throw: 16 mm (5/8")  
Length: 200 mm (7 7/8")

Material/Finish	Item No.
stainless steel, matt	911.62.330
stainless steel, PVD brass polished	911.62.332

**Supplied With**  
Strike plate  
Mounting screws



Stainless steel,  
matt



PVD Brass,  
polished

Dust-proof strike

page 4.32

Dimensional data not binding. We reserve the right to alter specifications without notice.