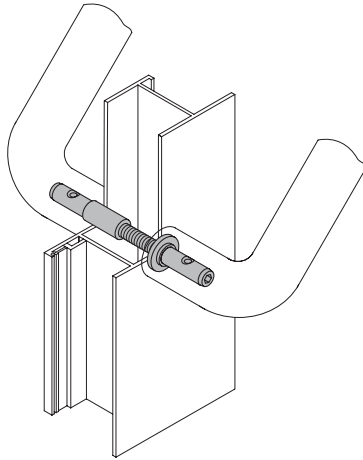


HEWI - Fastening Accessories

- All standard pull handles require 2 fasteners

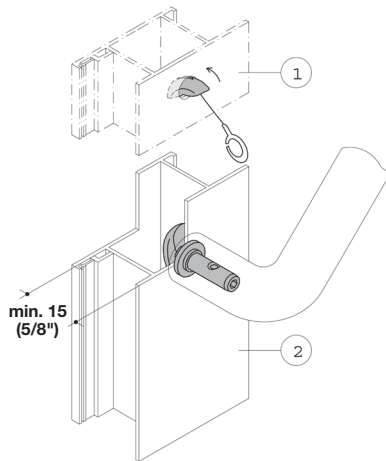


- Back to back on wood and metal doors
- Drilling: Ø12 mm (1/2")

Material: Steel; Finish: nickel-plated

Door thickness	Item No.
12-20 (1/2 – 13/16")	909.07.021
20-30 (13/16" – 1 3/16")	909.07.022
30-40 (1 13/16" – 1 9/16")	909.07.023
40-50 (1 9/16" – 2")	909.07.024
50-60 (2" – 2 3/8")	909.07.025

3



- Surface mounted installation on metal doors, one-sided
- Drilling: Ø14 mm (9/16")

Material: Insert: Steel, chromitized
Bolt: Steel; Finish: nickel-plated

Item No.
909.39.100

Dimensional data not binding. We reserve the right to alter specifications without notice.

Dimensions in mm
Inches are approximate