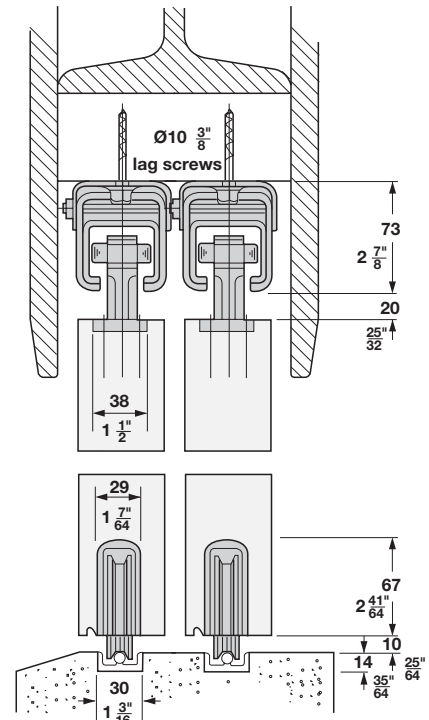
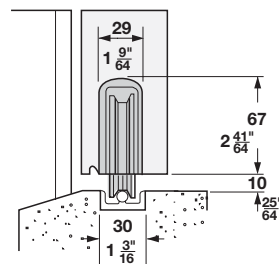
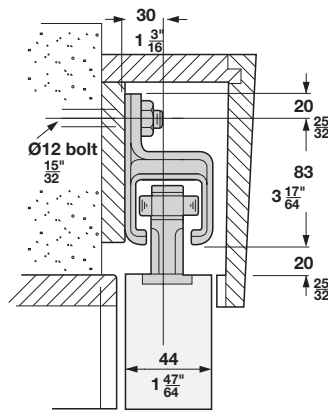
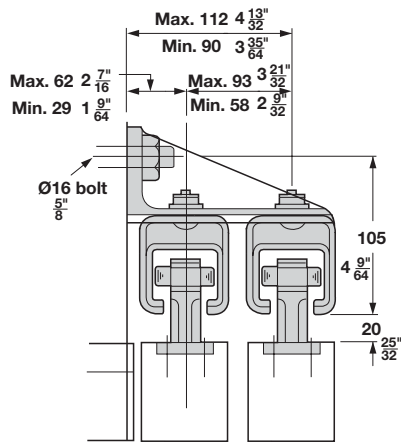


1

Straightaway 400



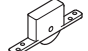

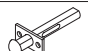

- Maximum door weight: 400 kg (880 lbs.)
- Maximum door height: 3500 mm (11' 5 13/16")
- Minimum door thickness: 44 mm (1 47/64")
- For single and multiple interior and exterior sliding doors
- Upper guide with horizontal wheel
- Simple installation
- Recommended width of door should be a minimum 1/3 of door height
- Mortise for lower running gear must fit tight around the running gear's casing
- Weight of sliding door must be carried on top of casing above the wheel
- Lower running gear must be plumb with upper guide



Individual Components

Order specifications:

- Number of running gears (2 per door) and upper guides
- Lower track and upper guide channel lengths
- Door weight, height and width
- Type of stopper

	Description	Material	Finish/Color	Length	Item No.
	Lower track, pre-drilled, 14 x 30 (91/6" x 1 3/16")	Brass	-	3 m (9' 10 1/8") 1.8 m (5' 10 7/8")	942.53.930 942.53.918
	Upper guide channel, un-drilled 48 x 43 (1 7/8" x 1 11/16")	Steel	galvanized	3 m (9' 10 1/8")	942.53.830
	Lower running gear, wheel with ball bearing, for 400 kg (880 lbs.) heavy doors	Casing: Die-cast Wheel: Steel	-	-	942.53.010
	Upper guide, with 2 horizontal offset wheels, rattle-free	Casing: Aluminum Wheels: Neoprene	-	-	942.53.030
	Spring loaded door stop, drilled into door	Steel	galvanized	-	942.30.051
	Buffer	Rubber	black	-	941.80.050

Dimensions in mm
Inches are approximate