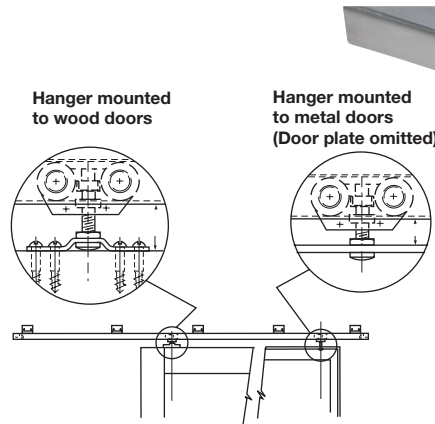


Straightaway 100 Inox Stainless Steel Corrosion Resisting

- Maximum door weight: 100 kg (220 lbs.)
- Maximum door height: 2.5 m (8' 2 7/16")
- Door thickness: 20 – 50 mm (13/16" – 2")
- Minimum door thickness of 30 mm (1 3/16") when using floor guide channel
- Top hung or wall mounted
- Manufactured from marine grade 316 stainless steel, and developed to withstand harsh operating environments
- Ideal for applications within the catering and medical industries, the system is also ideal for use in the chemical industry and anywhere with harsh climatic or atmospheric conditions



Performance –
all Straightaway 100 Inox fittings have been tested for endurance and strength. Each type of trolley hanger, together with its associated fittings has been loaded to the maximum stated capacities and tested over 1,000,000 cycles without failure.

Individual Components

	Description	Material	Finish	Length	Item No.
	Top track Pre-drilled for soffit or side-mounting with bracket	Stainless Steel grade 316	-	2.1 m (6' 10 11/16")	941.06.721
				3 m (9' 10 1/8")	941.06.931
	Side mounting bracket, with two screw holes, for use with top track Note 1 set required per 3 m (9' 10 1/8") length of track.	Stainless Steel grade 316	-	-	941.06.082
	Running gear, door plate omitted when mounted to metal doors	Stainless Steel Wheel: nylon	-	-	941.06.013
	Height adjustment wrench, required to adjust the position of the trolley hangers for final door alignment	Steel	galvanized	-	941.06.090
	Track end piece, with holdback catch, for use with top track	Stainless Steel grade 316	-	-	941.06.041
	Bottom guide, for metal doors	Stainless Steel grade 316	-	-	941.06.020
	Bottom guide, for wood doors	Stainless Steel grade 316 Roller: Brass	-	-	930.10.000
	Channel, pre-drilled for countersunk screws	Stainless Steel	-	2.1 m (6' 10 11/16")	943.26.921
				2.5 m (8' 2 7/16")	943.26.925
				3 m (9' 10 1/8")	943.26.930
	Door stop, medium duty, screw-mounted Note 2 required	Aluminum, extruded Buffer: Rubber	-	-	942.51.051

Dimensional data not binding. We reserve the right to alter specifications without notice.

Dimensions in mm
Inches are approximate