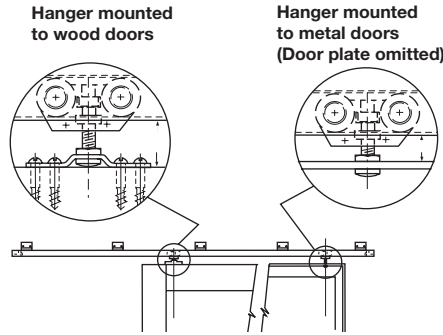


### Straightaway 100

- Maximum door weight: 100 kg (220 lbs.)
- Maximum door height: 2.5 m (8' 2 7/16")
- Door thickness: 20 - 50 mm (13/16" - 2")
- Minimum door thickness of 30 mm (1 3/16") when using floor guide channel
- For interior straight sliding doors
- Top hung or wall mounted
- Allows for wood or glass door combination



### Individual Components

	Description	Material	Finish/Color	Length	Item No.
	Top track, soffit or side-mounted with bracket	Steel	galvanized	2.1 m (6' 10 11/16")	941.06.921
				3 m (9' 10 1/8")	941.06.930
	Radius track curve	Steel	galvanized	0.6 m (23 5/8")	941.06.906
	Top track, pre-drilled for soffit or side-mounting with bracket	Stainless Steel	-	3 m (9' 10 1/8")	941.06.931
	Side mounting bracket, for use with steel, galvanized and stainless steel top tracks only. <b>Note</b> Required every 500 (19 11/16")	Aluminum	-	-	941.06.080
	Closed end piece, to convert side mount bracket and prevent lateral movement of track. <b>Note</b> Required per length of track	Steel	galvanized	-	941.06.081
	Top track, alternative to tracks above; pre-drilled for soffit-mounting only	Aluminum	bright extruded	2.1 m (6' 10 11/16")	941.06.821
				3 m (9' 10 1/8")	941.06.830
	Running gear <b>Note</b> Door plate omitted when mounted to metal doors	Steel Wheel: Nylon	galvanized	-	941.06.012
	Height adjustment wrench, required to adjust the position of the trolley hangers for final door alignment.	Steel	galvanized	-	941.06.090
	Track stopper, medium duty, for use with tracks. <b>Note</b> Spacer nib must be filed off when used with 941.06.821/830	Steel	galvanized	-	941.06.040
	Buffer, screw-mounted	Rubber	black	-	407.01.930
	Bottom channel insert, pre-drilled for countersunk screws	Aluminum	bright	2.1 m (6' 10 11/16")	942.51.721
				3 m (9' 10 1/8")	942.51.730
	Clear threshold bottom guide <b>Note</b> 1 required per panel	Fiber/ Polypropylene	opaque	-	407.51.059

Dimensions in mm  
Inches are approximate

Dimensional data not binding. We reserve the right to alter specifications without notice.