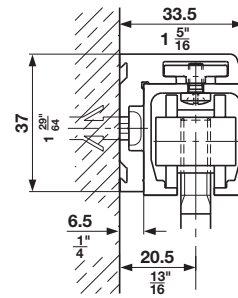


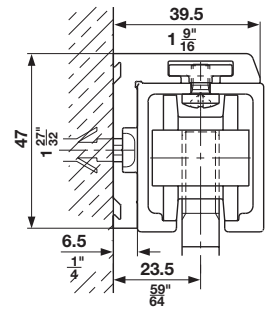
HAWA Angle Profile

- For Junior 40, Junior 80 and Junior 120 upper tracks
- Supports door weights of 40, 80 and 120 kg (88, 176 and 264 lbs.)
- Elegant design with almost invisible mounting
- Continuous profile for simple leveling
- Easy and fast to install with the attachment screws
- Drilling of upper track and angle profile is not required
- Additional support structure is not required
- Upper tracks and fitting sets have to be ordered separately

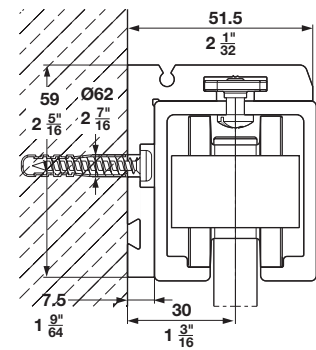
Junior 40 - type



Junior 80 - type



Junior 120 - type



- For wall mounted sliding door applications with HAWA Junior 40 upper tracks

Description	Material	Color/Finish	Length	Packing	Item No.
Angle profile, pre-drilled	Aluminum	anodized	6 m (19' 8 1/4")	-	940.40.602
			2 m (6' 6 3/4")	-	940.40.202
Fastening bolts and nuts, for upper track	Steel	galvanized	-	1 set (10 pcs.)	940.40.099
Cover caps	Plastic	anthracite gray	-	1 pair	940.40.067

- For wall mounted sliding door applications with HAWA Junior 80 upper tracks

Description	Material	Color/Finish	Length	Packing	Item No.
Angle profile, pre-drilled	Aluminum	anodized	6 m (19' 8 1/4")	-	940.80.602
			2.5 m (8' 2 7/16")	-	940.80.202
Fastening bolts and nuts, for upper track	Steel	galvanized	-	1 set (10 pcs.)	940.80.099
Cover caps	Plastic	anthracite gray	-	1 pair	940.80.064

- For wall mounted sliding door applications with HAWA Junior 120 upper tracks

Description	Material	Color/Finish	Length	Packing	Item No.
Angle profile, pre-drilled	Aluminum	anodized	6 m (19' 8 1/4")	-	941.20.603
			4 m (13' 1 1/2")	-	941.20.403
Fastening bolts and nuts, for upper track	Steel	galvanized	-	1 set (20 pcs.)	941.20.099
Cover caps	Plastic	anthracite gray	-	1 pair	941.20.065

Dimensional data not binding. We reserve the right to alter specifications without notice.

Dimensions in mm
Inches are approximate