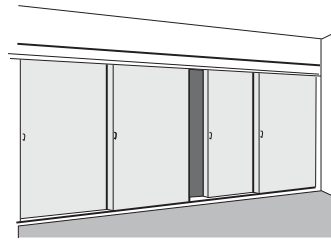


Straightaway 115

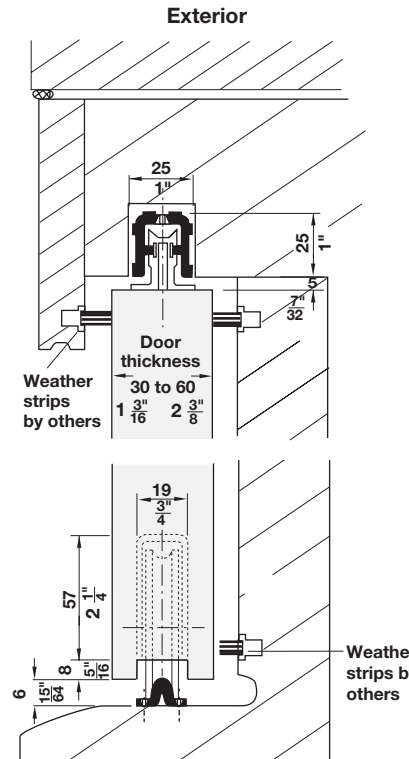
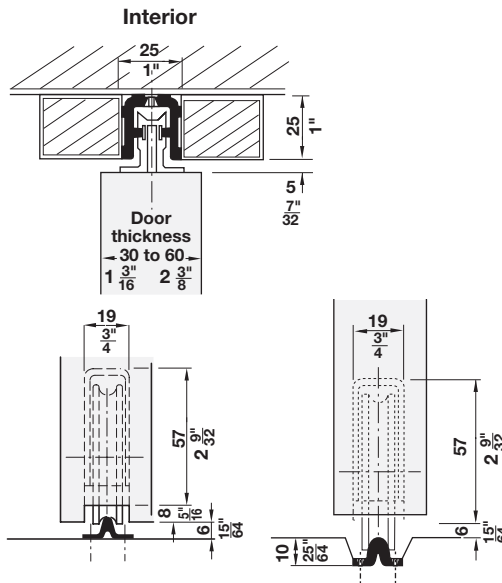
- Maximum door weight: 115 kg (250 lbs.)
- Maximum door height: 2400 mm (7' 10 1/2")
- Door thickness: 30 - 60 mm (1 3/16" - 2 3/8")
- For single and multiple interior and exterior sliding doors
- Rattle-free upper guide
- Simple installation
- Recommended width of door should be a minimum 1/3 of door height
- Mortise for lower running gear must fit tight around the running gear's casing
- Weight of sliding door must be carried on top of casing above the wheel



Interior



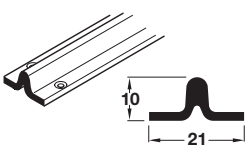





Exterior



Individual Components

Order specifications:

- Number of running gears and upper guides
- Lower track and upper guide channel lengths
- Door weight, height and width
- Type of stopper

	Description	Material	Color/Finish	Length	Item No.
	Lower track, pre-drilled, interior use only 10 x 21 (3/8" x 7/8")	Steel	galvanized	3 m (9' 10 1/8")	404.39.921
		Brass	-	3 m (9' 10 1/8")	941.80.730
		Stainless Steel	-	2.1 m (6' 10 11/16")	941.80.721
	Upper guide channel 25 x 25 (1" x 1")	Aluminum	-	3 m (9' 10 1/8")	942.51.730
		Stainless Steel	-	2.1 m (6' 10 11/16")	942.51.721
	Lower running gear, wheel with needle bearing, for 115 kg (250 lbs.) heavy doors	Casing: Die-cast	-	-	404.36.020
		Wheel: Nylon	-	-	-
	Lower running gear, wheel with needle bearing, for 55 kg (120 lbs.) heavy doors, interior application only	Casing: Die-cast	-	-	404.36.011
		Wheel: Nylon	-	-	-
	Upper guide, rattle-free with brush strip	Aluminum	-	-	404.36.904
	Buffer	Rubber	black	-	941.80.050

Dimensional data not binding. We reserve the right to alter specifications without notice.

Dimensions in mm
Inches are approximate